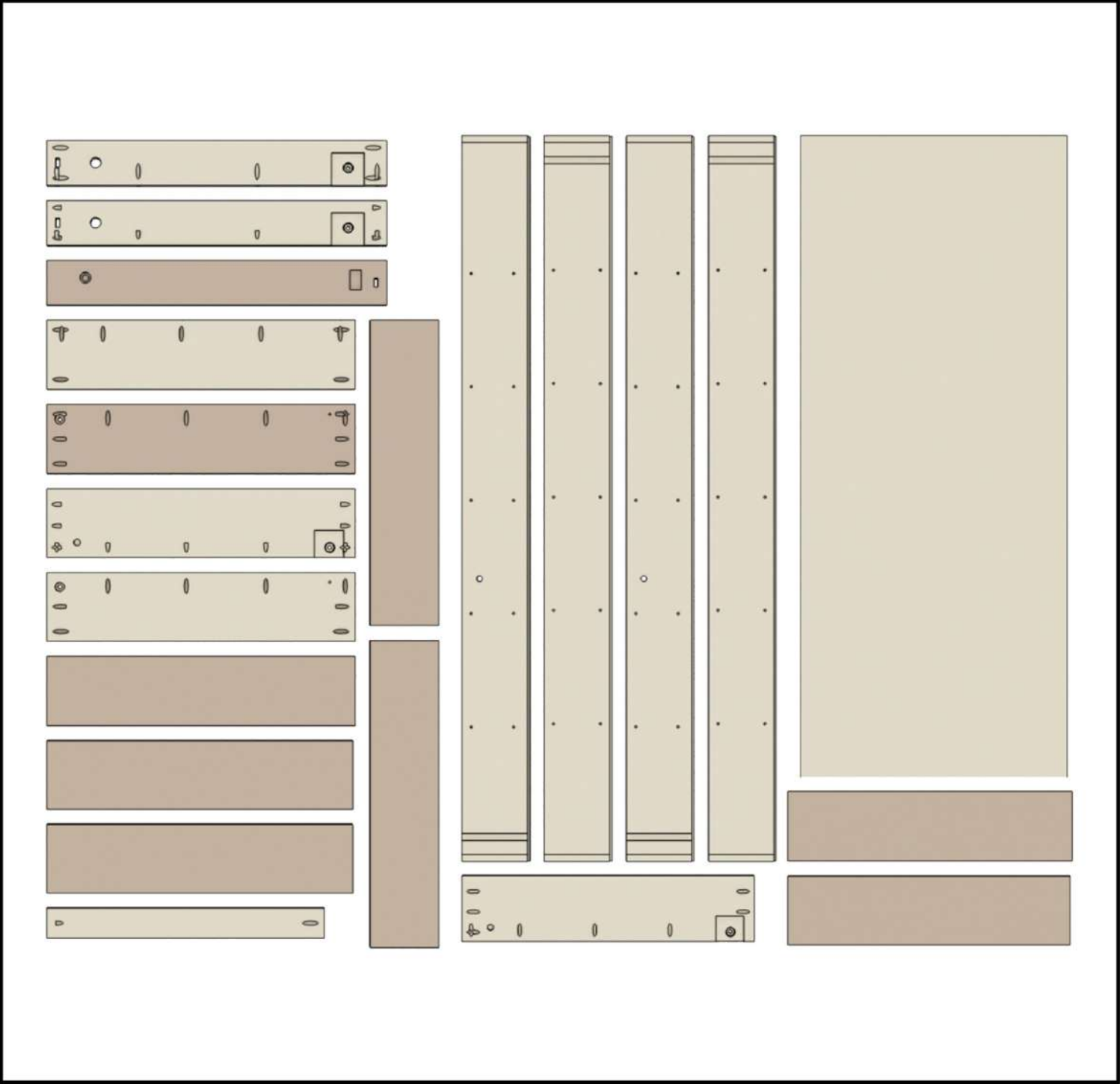
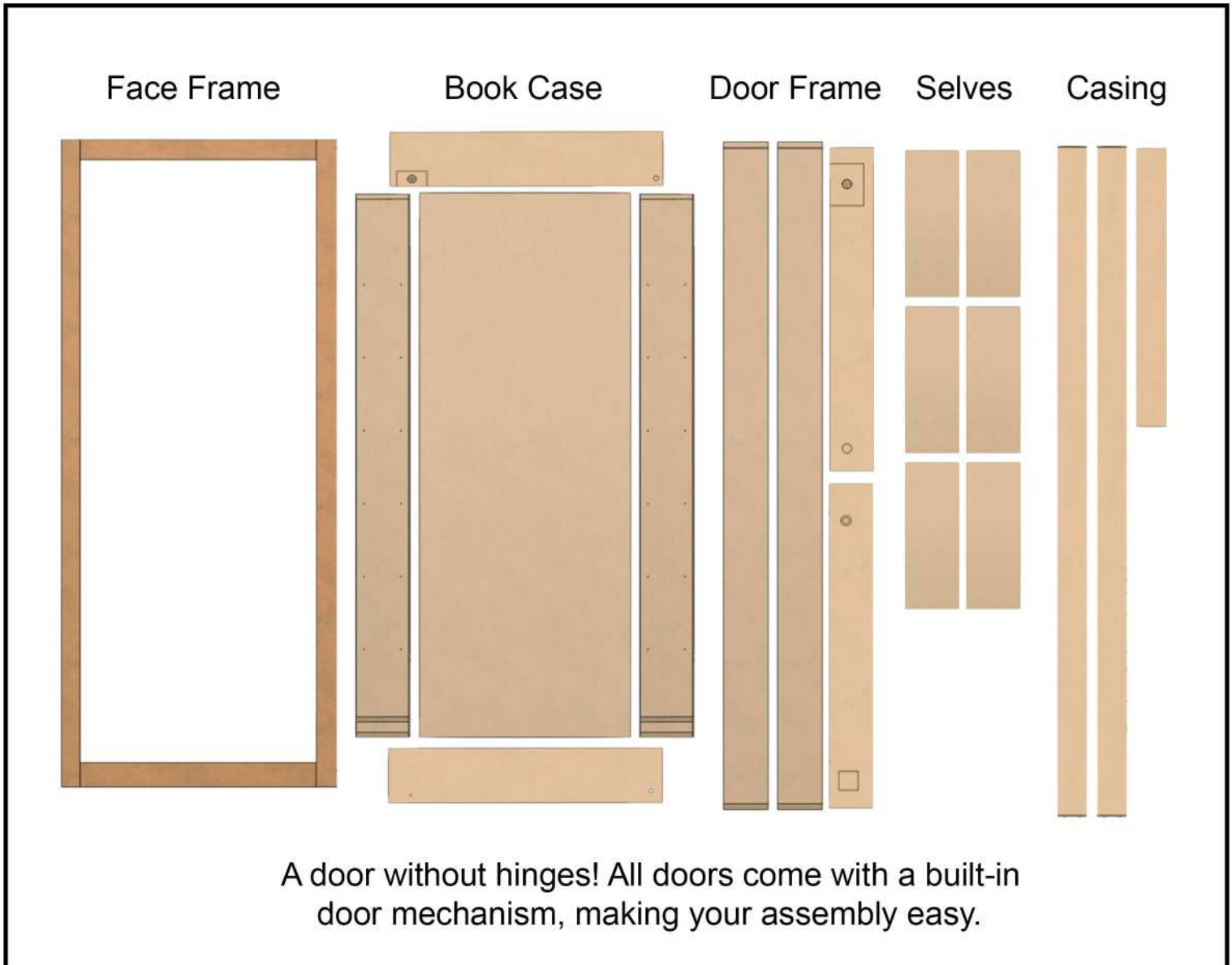




# MADERRA

Hidden Bookshelf Doors





## Tools Needed



Drill



6-Inch #2  
Square Driver  
Bit



Glue

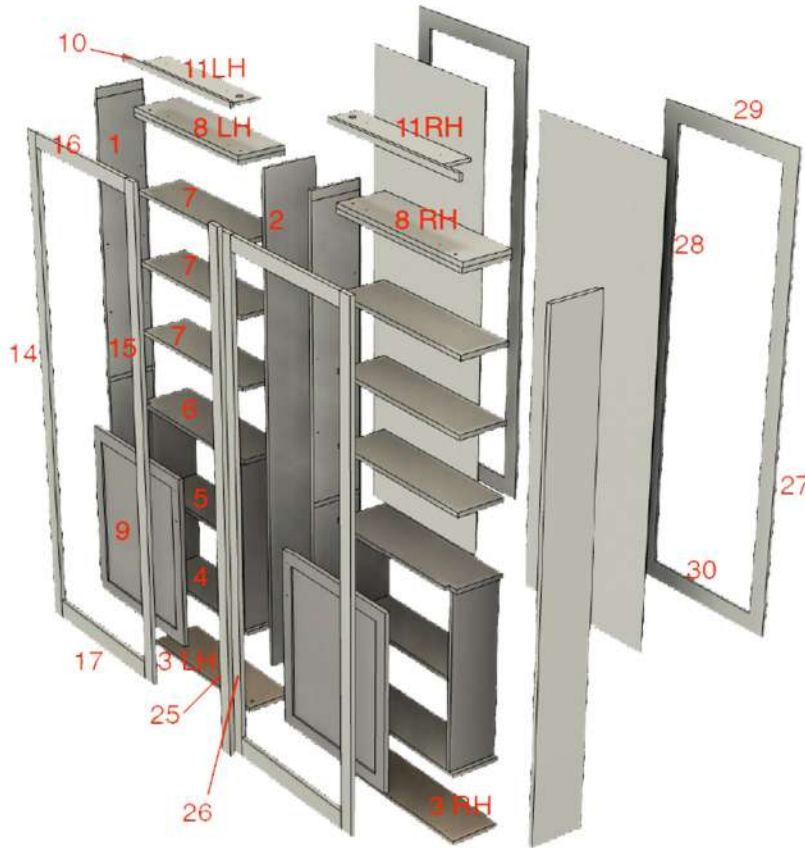


Nail Gun



Staple Gun

## Bookshelf Door Carcass Components



### PARTS:

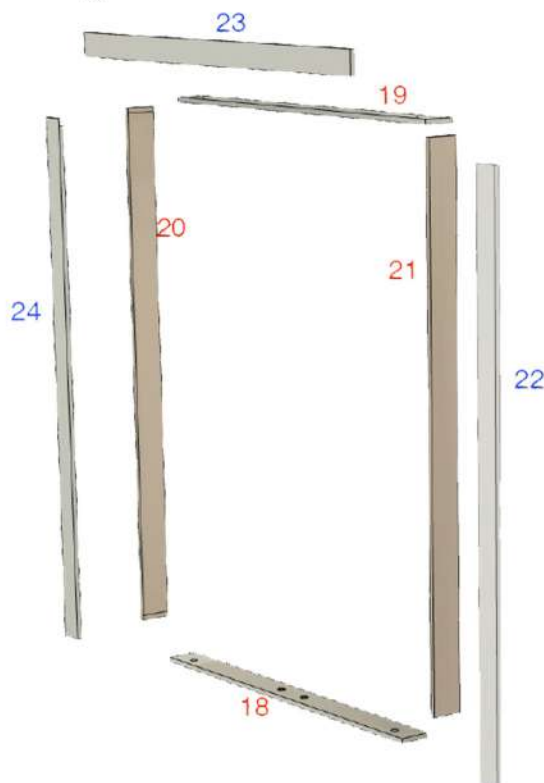
#### Bookshelf Case

1,2,3,4,5,6,7,8,9,10,11,  
12,13,14,15,16,17,18,1  
9,20,21,22,23,24,25,26,  
27,28,29,30

#### Shelves

7

## Prehang Door Frame & Door Casing



### PARTS:

#### Prehang Door Frame

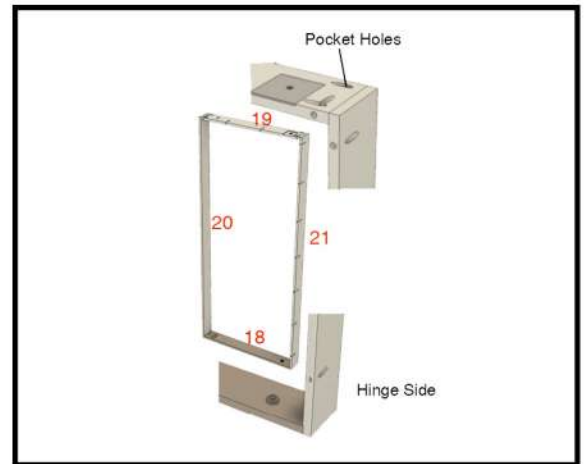
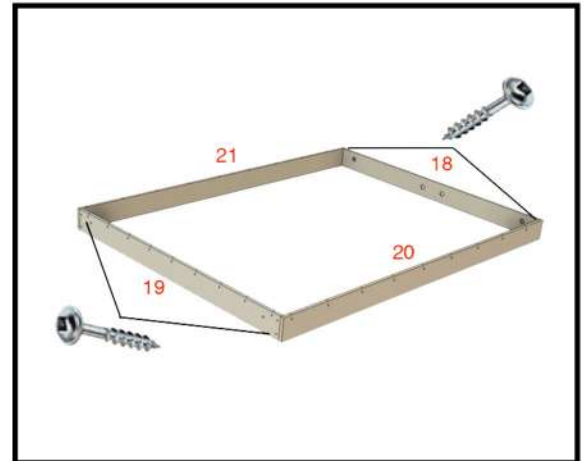
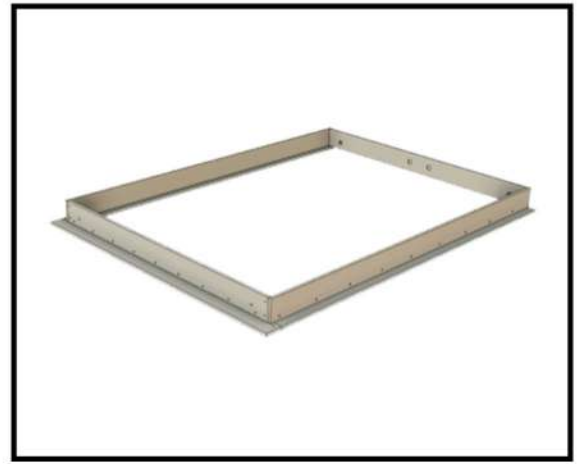
22,23,25

#### Door Casing

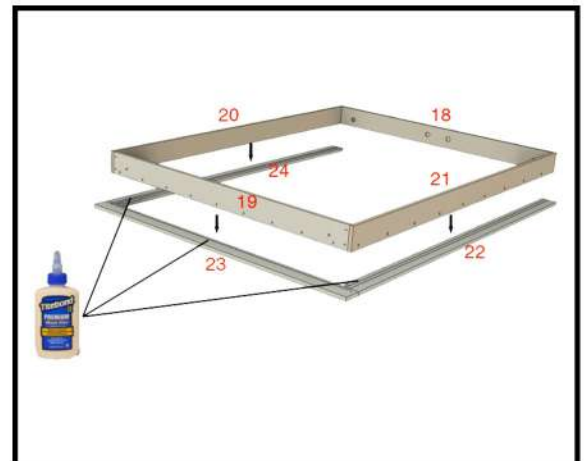
22,23,24

Assemble the prehang door frame by screwing all four corners using the drill pocket holes as your guide.

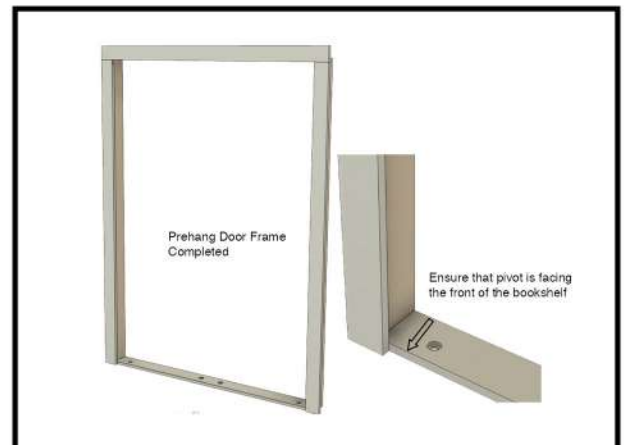
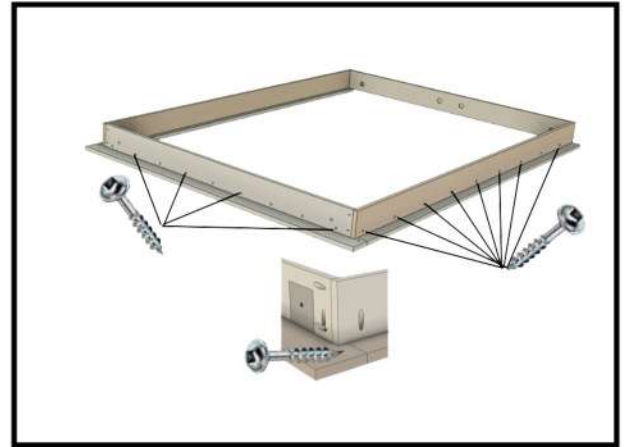
Note: Glue all corner



Attach the door casing to the prehang door frame.



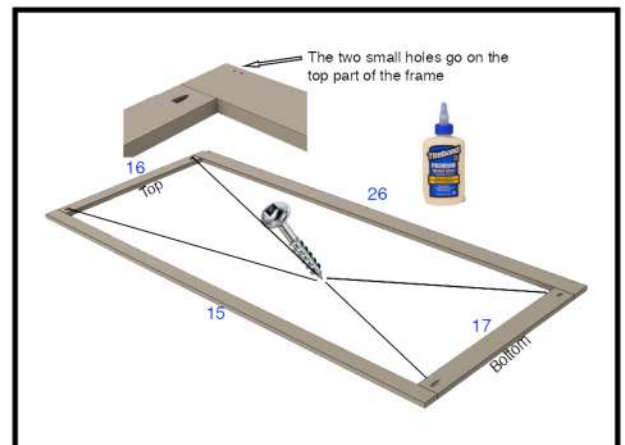
## Step-2



## Left Hand Door Assembly

Assemble the face frame by placing the face frame on a flat surface with the pocket holes facing upwards. Glue and screw all four corners of the frame. Pocket holes as your guide.

## Step-3

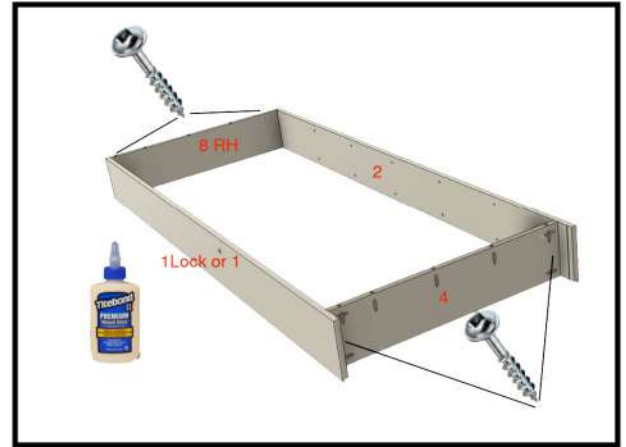


Place the bookshelf door carcass facing up and screw all four corners.

Note: Glue all corner

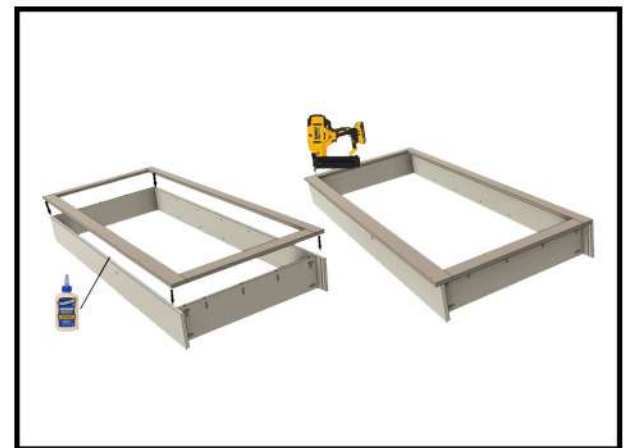
If your door has bottom doors. See Section A  
Page No.-11

## Step-4



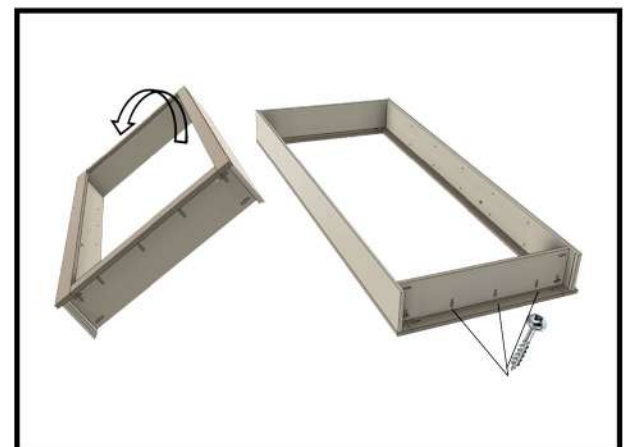
## Step-5

Put Glue on top of the face carcass and then place the face frame on top of it. Ensure that the box is square. Proceed to nail around the face frame to the bookshelf door carcass.



## Step-6

Flip the bookshelf door carcass on its back. Place screws on the bottom of Part #4



Screw Part 3 to the bottom of the bookshelf carcass and place the back panel to the back of the bookshelf case with a staple gun.

## Step-7



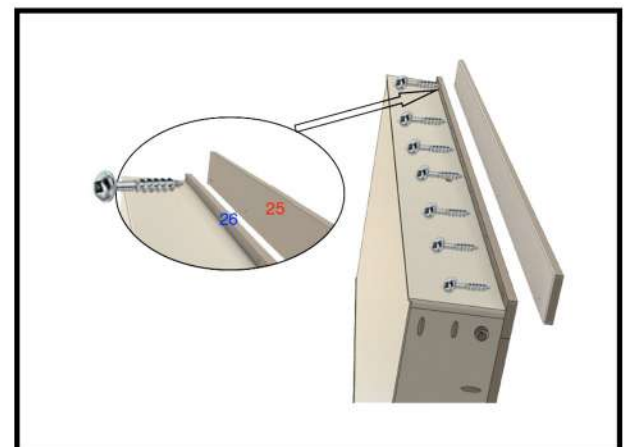
Glue and nail all of the back door trim pieces to the edge of the bookcase

## Step-8



Flip the bookshelf case on its side and place part 25 to the bookshelf door case, align the holes and screw the door casing from part 26

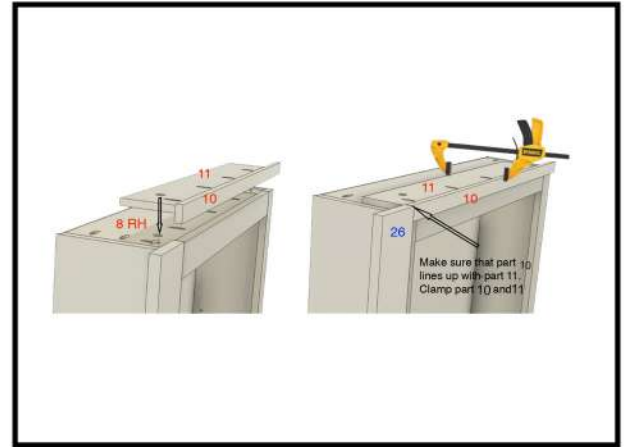
## Step-9





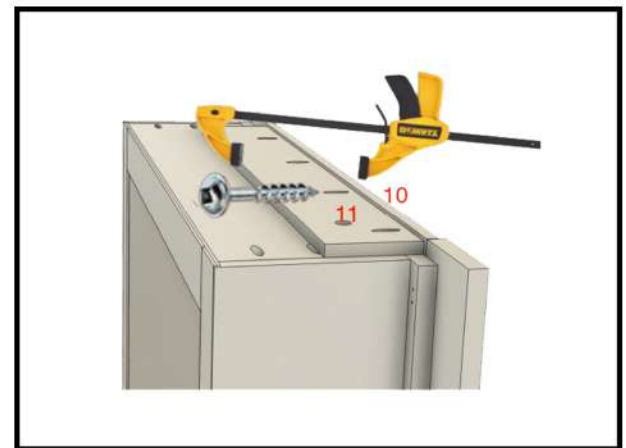
## Step-10

Line up the hole on part 11 with the hole on the top of part 8



## Step-11

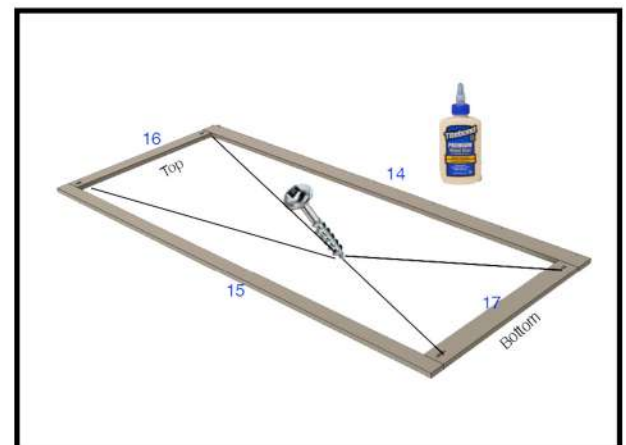
Screw Part 10 to 11



## Step-12

### Right Hand Door Assembly

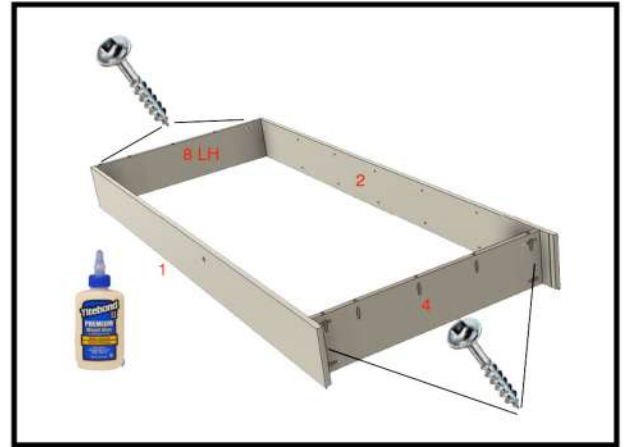
Assemble the right hand face frame by placing the face frame on a flat surface with the pocket holes facing upwards. Glue and screw all four corners of the frame. Pocket holes as your guide.



## Step-13

Place the bookshelf door carcass facing up screw and all four corners.

Note: Glue all four corners



## Step-14

Put Glue on top of the face carcass and then place the face frame on top of it. Ensure that the box is square. Proceed to nail around the face frame to the bookshelf door carcass.



## Step-15

Flip the bookshelf door carcass on its back. Place screws on the bottom of part #4



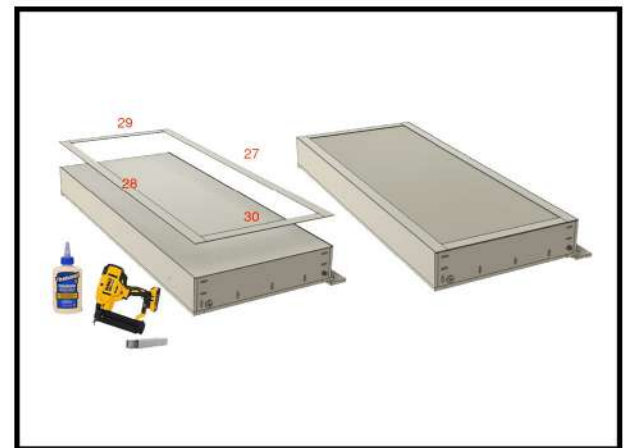
Screw part 3 to the bottom of the bookshelf carcass and place the back panel to the back of the bookshelf case with a staple gun.

## Step-16



## Step-17

Glue and nail all of the back door trim pieces to the edge of bookcase

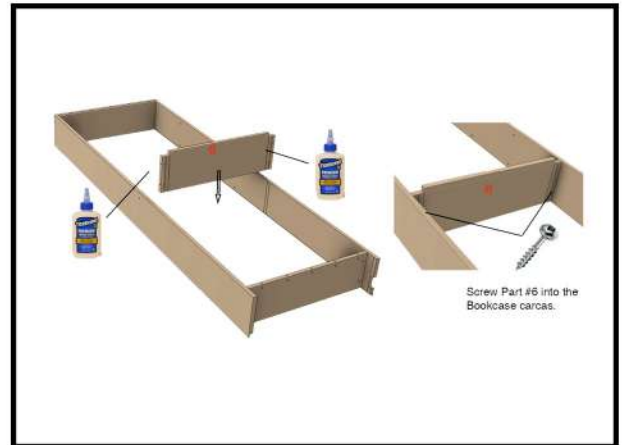


### Step-18

Glue end of parts #6.

Insert part #6 in the dadoos of part 1,2.

Screw Part #6 into the bookcase carcass.



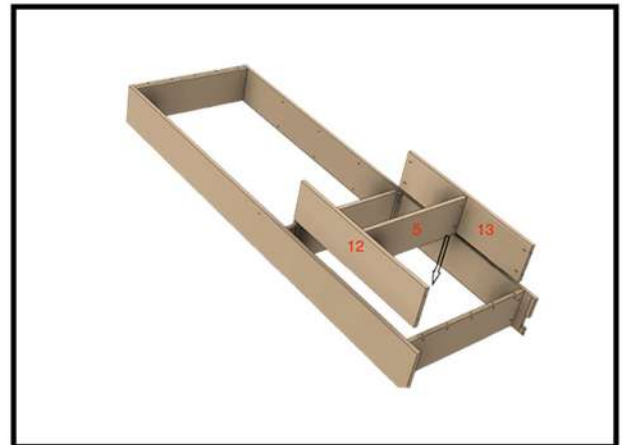
### Step-19

Assemble the bottom door carcass using 12,13, 5

Screw part 12, to part 5 and 22.

Insert the unit into the the bookcase using the dado slots as your guide.

Note: Glue all corner.



### Step-20

Screw parts using the pocket screws.

Note: Glue all corner

